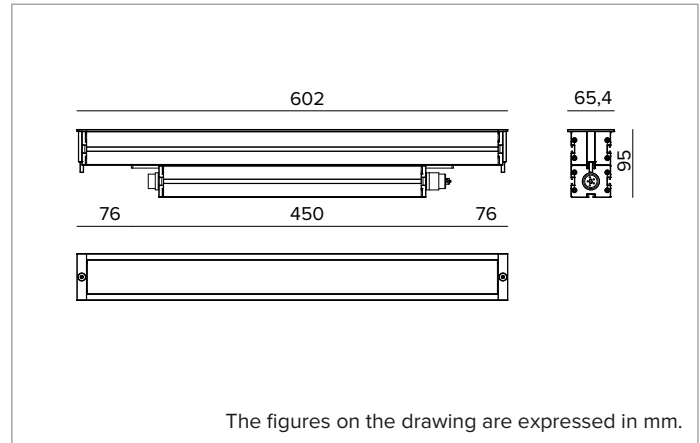


E0562FVL822D2BA | JEDI NOVA 55 Recessed

Recessed linear LED projector



	2200K	H(m)	D1(m)	D2(m)	E _{max} (lx)		
	Ra80	67°	75°				
Fixture Power	27W	1	1.31	1.52	1834		
Source Flux	3618lm	2	2.63	3.04	459		
Fixture Flux	2337lm	3	3.94	4.56	204		
Efficacy	88lm/W	4	5.25	6.09	115		
TS2156	I _{max} =507cd/klm	I _{max}	1834cd	5	6.56	7.61	73



SOURCE

Mid Power High Efficiency Ra80 linear LED board.

Energy efficiency class: D

Nominal power: 24

Nominal flux: 3618lm

Colour rendering index: 80

CCT nominal: 2200K

Lifetime (L80/B10): >102000h tq +25°C

ILLUMINOTECHNICAL CHARACTERISTICS

Cellular optics made of PMMA lenses and polished black anti-reflective polycarbonate screens.

Optic: LENS

Beam angles: VWFL 75°

Optical efficiency: 65%

Fixture flux: 2337lm

Luminous efficacy: 88lm/W

Photobiological safety: Compliant with RG1 low risk group

MECHANICAL CHARACTERISTICS

Extruded anodised aluminium 15μ body. Extra clear 10mm thick glass flat screen.

Colour and finish: Black anodized

Dimensions: L=602mm

Weight: 3.8Kg

Version: STANDARD

Degree of protection: IP66,IP67,IP68,IP69

Mechanical Resistance: IK10

ELECTRICAL CHARACTERISTICS

Integrated driver available in the DALI2 version (positioned below the optical body). Supplied with through-wiring with longitudinal sealing IN/OUT panel connectors (the sealing limits the risk of humidity raising towards the driver/optical body). Luminaire compliant with EN 60598-2-22 for power supply from a centralised emergency system CPSS (Central Power Supply System), not incorporated in the luminaire - high risk areas excluded. The default power and flux are 100% in AC and 100% in DC.

Fixture Power: 27W

Power supply: 220-240Vac 50/60Hz

Insulation Class: CLASS 1

Type of driver / Control: DALI2 - PUSH

Driver included: YES

Class F: YES

Ambient temperature: 0°C / +35°C

INSTALLATION

To be completed with an anodised aluminium insertion box. Continuous in-line installation version available.

NOTES

Casambi control system available using a dedicated accessory. 110-277Vac version available on request. All versions meet the drive-over and walk-over requirements of EN 60598-2-13. IP68: the projector is not suitable for permanent underwater installation but can withstand temporary accidental immersion to a depth of 1.5 metres (max.1h). IP69: IEC/EN 60529 standard compliant. Commissioning of the control system via free APP; the intervention of a specialist technician can be quoted on request.

WARRANTY

5 years.

WARNING

Luminaire designed for disposal/recycling at end-of-life. Replaceable (LED only) light source by a professional. Replaceable control gear by a professional.

Due to the technological evolution of the electronic components, the data provided may be updated, and as such, confirmation must be requested during the order process.

Luminous flux and power supply have +/-10% tolerances with respect to the indicated value. tq +25°C (CIE 121).

We reserve the right to make technical changes.

Targetti Sankey S.r.l.
Via Pratese, 164
50145 Firenze - Italy
Tel: +39 055 37911
targetti.com
targetti@targetti.com

CCIAA Firenze
Share Capital:
€ 500.000,00
VAT N. (IT):
01537660480
R.E.A: FI-275656

TARGETTI

E0562FVL822D2BA | JEDI NOVA 55 Recessed Recessed linear LED projector

Related codes

Insertion Box



L mm	H mm	P mm	Version	Code
606	108	100	Stand Alone	A113Z

Aluminium outer casing for Jedi Nova 55.
In black anodised aluminum.



L mm	H mm	P mm	Version	Code
604	108	100	System	A114Z

Aluminium outer casing for Jedi Nova 55.
In black anodised aluminum.

Mounting System



Code

A116

Fixing plate kit for A113 and A114 installation sleeves.
In aluminum.

Accessories

Connector



Code

A117

IP66/IP68 female connector.
5 pôles (STANDARD 3G2,5mm² MAX, DALI 5G1,5mm² MAX).
Cable diameter range from 7 to 12mm.



Code

A118

Male/female IP66/IP68 connector kit.
5 pôles (STANDARD 3G2,5mm² MAX, DALI 5G1,5mm² MAX).
Cable diameter range from 7 to 12mm.



Code

A119

Multiple connection box IP68.
1 IN - 2 OUT 5 poles (STANDARD 3G2,5mm² MAX, DALI 5G1,5mm² MAX).
Cable diameter range from 7 to 12mm.

Due to the technological evolution of the electronic components, the data provided may be updated, and as such, confirmation must be requested during the order process.
Luminous flux and power supply have +/-10% tolerances with respect to the indicated value. tq +25°C (CIE 121).

We reserve the right to make technical changes.

Targetti Sankey S.r.l.
Via Pratese, 164
50145 Firenze - Italy
Tel: +39 055 37911
targetti.com
targetti@targetti.com

CCIAA Firenze
Share Capital:
€ 500.000,00
VAT N. (IT):
01537660480
R.E.A.: FI-275656

TARGETTI

E0562FVL822D2BA | JEDI NOVA 55 Recessed Recessed linear LED projector

Cable



	L mm	Code
	1000	A120Z
	2000	A120Y
	3000	A120X

Connection cable.
Complete with 5 pole connectors.
For the ON-OFF and DALI version.

Control systems



Code

1E3048

IP67 wireless control unit with DALI interface.
It generates a local DALI2 bus, enabling a direct connection to a DALI interface LED driver.
The module can only be used in a closed system and cannot be connected to an existing DALI network.
The module is wireless controlled using a Casambi app for smartphones and tablets using Bluetooth 5.0 technology.
The devices automatically create an adaptive, robust, and reliable wireless mesh network, allowing for the easy and efficient management of a high number of fixtures.
The control unit is preset to the DALI 1CH profile, meaning the device can control a single DALI driver with broadcast commands.
In addition to the DALI broadcast, other operating modes are available, such as:

- Button (normally open)
- Control unit 0/1-10V
- Control unit DALI Tunable White DT8
- Presence sensor



Code

1E4369

IP67 Extender for wireless control of LED driver with dimming DALI interface based on Casambi technology.
It has a DALI2 output with the capacity to control up to 40 lighting fixtures.
With the addition of a further external BUS DALI power supply it is possible to control up to 64 fixtures.
IP67 Extender is preset to the DALI broadcast profile, meaning all the luminaires connected to it are dimmable at the same level.
In addition to the DALI broadcast other operating modes are available, such as:

- EXTENDER DALI 8CH
- EXTENDER DALI Tunable White
- EXTENDER DALI 4CH
- EXTENDER DALI DT8 Tunable White

Due to the technological evolution of the electronic components, the data provided may be updated, and as such, confirmation must be requested during the order process.

Luminous flux and power supply have +/-10% tolerances with respect to the indicated value. tq +25°C (CIE 121).

We reserve the right to make technical changes.

Targetti Sankey S.r.l.
Via Pratese, 164
50145 Firenze - Italy
Tel: +39 055 37911
targetti.com
targetti@targetti.com

CCIAA Firenze
Share Capital:
€ 500.000,00
VAT N. (IT):
01537660480
R.E.A: FI-275656

TARGETTI